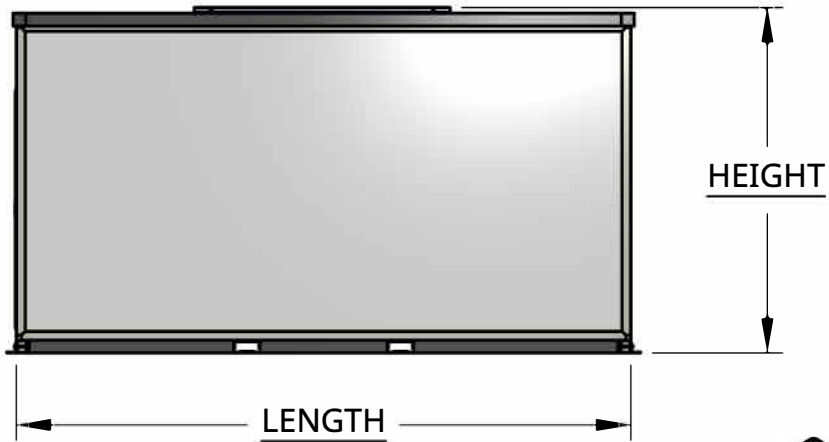
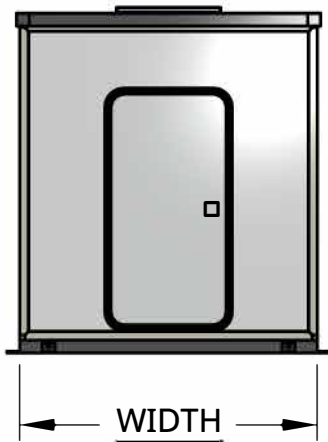
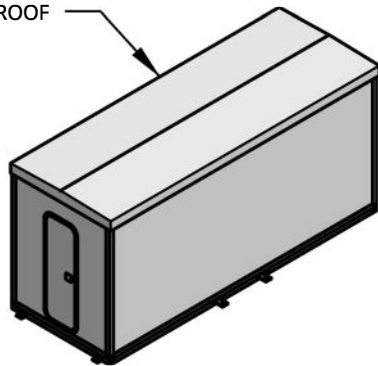


2

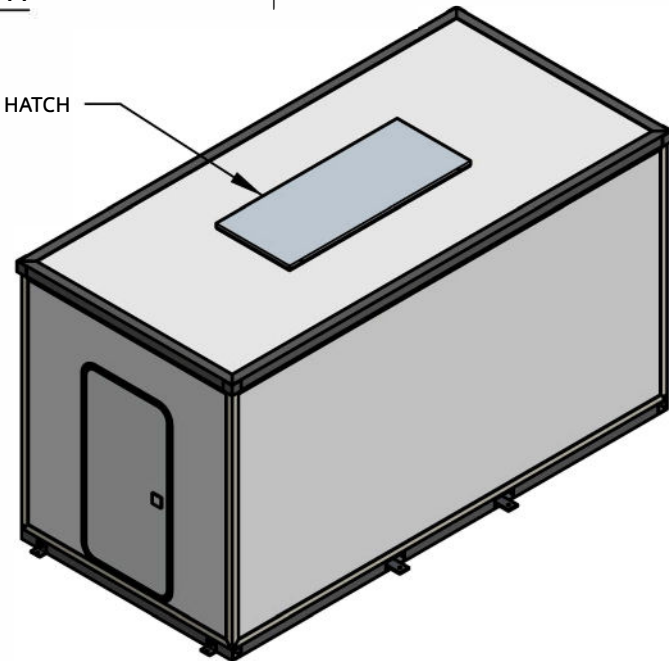
1



2000G HINGED ROOF



3400 - 6000G TANK ACCESS HATCH



TANK OPTIONS

TANK SIZE	LENGTH (IN)	WIDTH (IN)	HEIGHT (IN)
2000G	197	72	94
3400G	192	93	107
5000G	227	100	116
6000G	231	110	126



PROJECT				REMOTE PLATINUM - WIDE, END DOOR	
DWG.			EXTERNAL DIMENSIONS		REV
DWG. NO.		DRAWN	REV DATE	001	
SD-PLT-REM-S3		PA	07/18/2023		
SCALE	SIZE	SHEET			
1:60	A	1 OF 2			

2

1

B

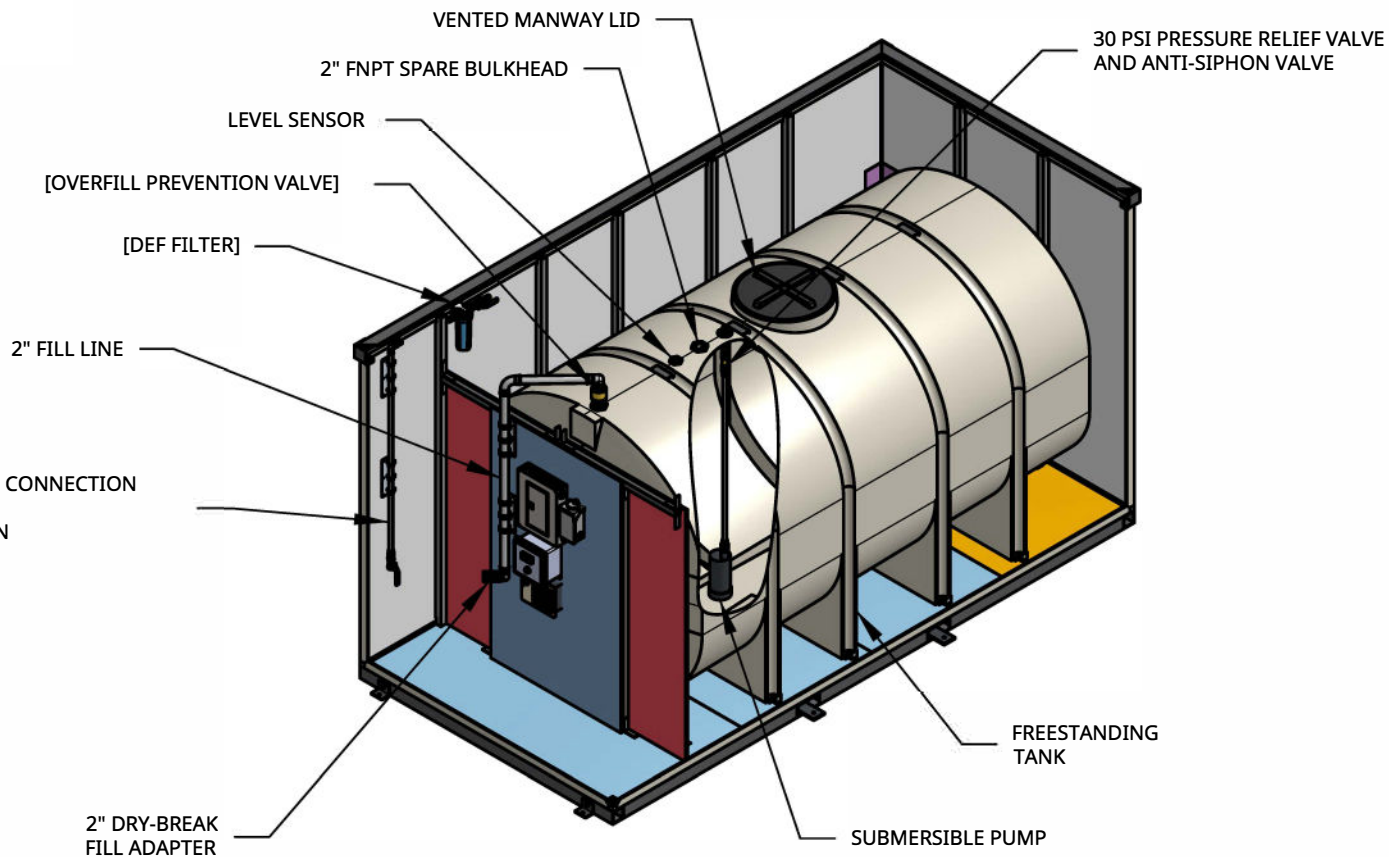
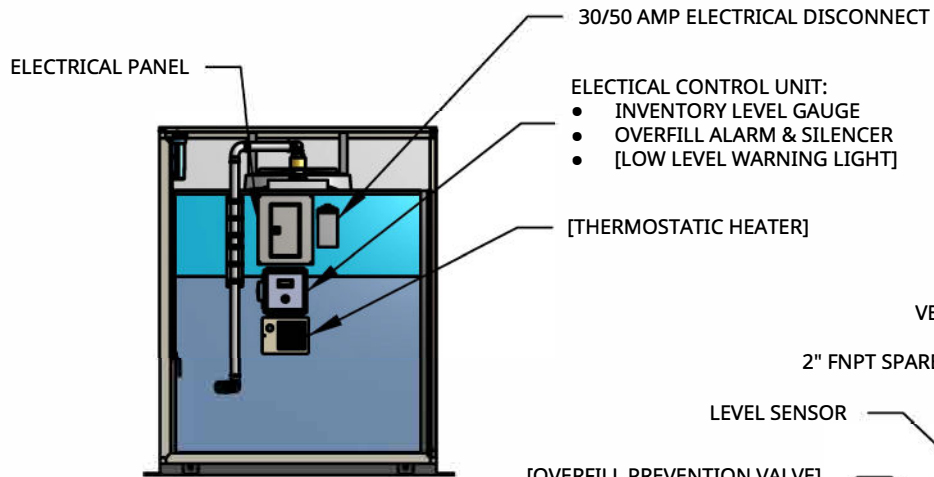
B

A

A

2

1



NOTE: OPTIONAL COMPONENTS ARE LISTED IN SQUARE BRACKETS [].



PROJECT				REMOTE PLATINUM - WIDE, END DOOR	
DWG.				PLUMBING & ELECTRICAL	
DWG. NO.				DRAWN	REV DATE
SD-PLT-REM-S3		PA	07/18/2023		REV 001
SCALE	SIZE	SHEET		2 OF 2	
1:50	A				

2

1